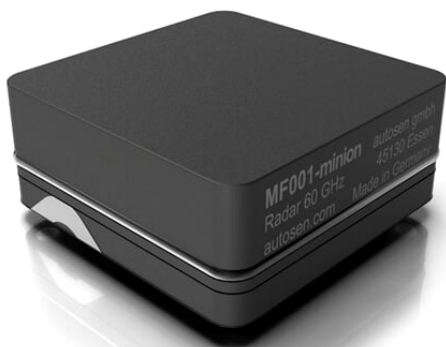


# MF001 minion® radar sensor



Order by 2 pm - Shipping on the same working day

**99,74 €** offline price 105,54 €

Incl. 5.5% online discount for online orders

## Overview

- Precise radar distance sensor for level measurement, for example
- Up to 2 meters range
- Autonomous monitoring with direct cloud connection and battery operation
- Adhesive pad included for tank installation, e.g., IBC containers
- Quality – Made in Germany

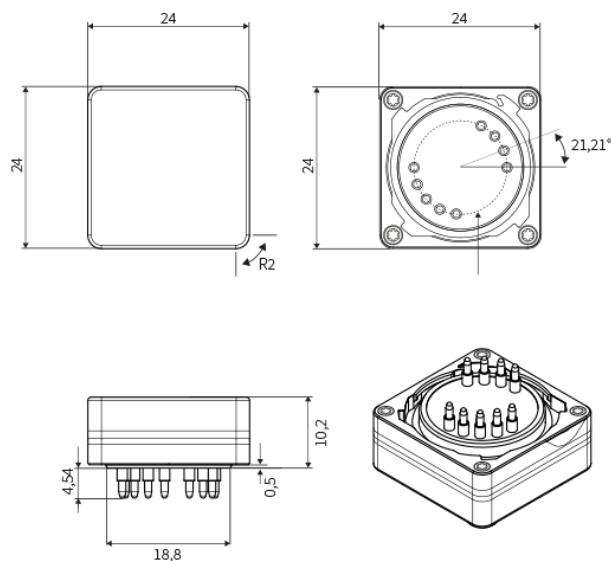
In daily use - proven millions of times over. Products from autosens are under highest quality requirements regarding robustness, insensitivity and reliability.

We offer 5 years warranty - with money-back guarantee!

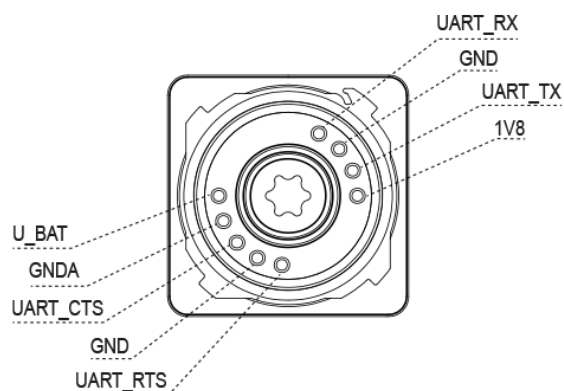
**[www.autosens.com/MF001](http://www.autosens.com/MF001)**

Direct link to the article on autosens.com

## Dimensional drawing



## Connection & pin assignment



**Order online at**  
**Order by telephone**  
**Order by fax**

[www.autosens.com](http://www.autosens.com)  
**+49 (0) 201/749 189 21**  
**+49 (0) 201/749 189 22**

autosens gmbh • Annastraße 41 • 45130 Essen  
[www.autosens.com](http://www.autosens.com) • [info@autosens.com](mailto:info@autosens.com)  
 We reserve the right to make technical changes without notice -  
 3/29/2025



## General information

---

Range of application	Distance measurement, level measurement for bulk solids, liquid media
Measuring range	200 ... 2000 mm
Sensor type	Pulse radar sensor

## Electrical data

---

Operating voltage	3 V DC
Voltage type	Direct voltage (DC)

## Mechanical data

---

Max. permitted relative humidity	90 %
Weight	0,120kg
Dimensions	86,5 x 67 x 8,5
Material of housing	POCAN

## Accuracy

---

Absolute accuracy	6 mm
Relative accuracy	3 mm
Opening angle E1	25°
Opening angle E2	2°

## Ambient conditions

---

Ambient temperature min.	-25°C
Ambient temperature max.	80°C
Protection rating	IP65
	IP67

## Additional information

---

Approval	CE
----------	----

