



I0001 io-key® Wireless IoT Gateway EU

Order by 2 pm - Shipping on the same working day

278,99 € offline price
295,23 €

Incl. 5.5% online discount for online orders

Overview

- All-in-one solution consisting of wireless gateway, cloud access and data flat rate, which enables sensor data to be brought into the cloud, monitored and analysed easily and in a matter of seconds
- manufacturer-independent compatibility with more than 20,000 IO-Link sensors
- customised dashboards and alarm functions
- automatic detection of the sensor via IO-Link
- Secure and long-range gateway that enables data transmission via wireless link

In daily use - proven millions of times over. Products from autosen are under highest quality requirements regarding robustness, insensitivity and reliability.

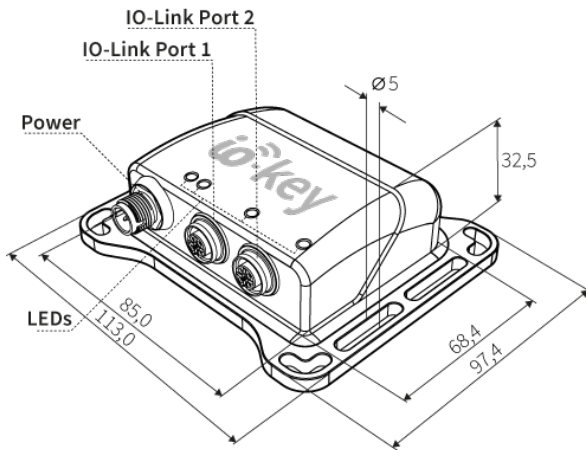
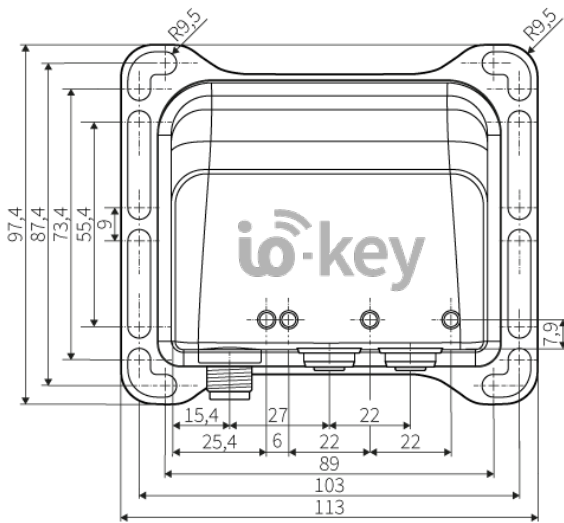
We offer 5 years warranty - with money-back guarantee!

www.autosen.com/I0001

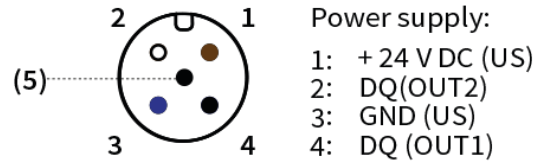
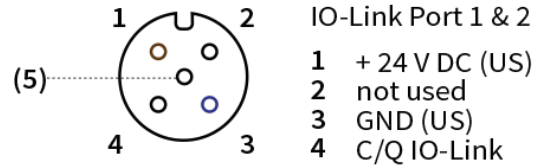
Direct link to the article on [autosen.com](http://www.autosen.com)



Dimensional drawing



Connection & pin assignment



General information

Range of application	Wireless IoT Gateway
Communication interfaces	IO-Link, SIO, 4G (LTE Cat-M1), 2G (GSM)
Features	Sensor data collection and wireless transmission to autosen.cloud
Parametrisation options	Automatic dashboard display and alarm functions by email or SMS in autosen.cloud

Wireless communication

Technology & Frequencies	4G bands (MHz): B3(1800), B5(850), B8(900), B20(800), B28(700); 2G bands (MHz): B2(1900), B4(AWS1700), B12(700), B13(700)
Sim card	installed, can be used throughout Europe
Cloud Interface	autosen.cloud (based on the Cumulocity platform)

Order online at
Order by telephone
Order by fax

www.autosen.com
+49 (0) 201/749 189 21
+49 (0) 201/749 189 22

autosen gmbh • Annastraße 41 • 45130 Essen
www.autosen.com • info@autosen.com
We reserve the right to make technical changes without notice -
3/29/2025



Outputs / inputs

Power supply	Power Port
Number of digital outputs	2: Two digital outputs on pin 4 & pin 2; power port
Switching level	Low: 0 ... 5 V High: 11 ... 30 V
Current carrying capacity per output (Power)	100 mA
Switching delay at output	< 3 sec.
Switch-on and switch-off delay adjustable	Yes
Number of digital inputs	2: One input each on pin 4 (IO-Link); IO-Port 1 & 2
Transfer type	COM 1 / COM 2 / COM 3
IO-Link revision	1.1
Number of ports class A	2 s
IO-Link	Yes

Electrical data

Total current carrying capacity	1000mA
Operating voltage	18 ... 30 V DC
Voltage type	Direct voltage (DC)
Protection class	III
Short-circuit protection	Yes
Reverse polarity protection	Yes

Mechanical data

Material of housing	ABS
Electrical connection	M12 4-pin

Ambient conditions

Ambient temperature min.	-25°C
Ambient temperature max.	60°C
Max. Height above sea level [m]	3000
Protection rating	IP65



Additional information

Function display	4 x LED Yellow Green
Accessories included with delivery	1 x M12 sealing cap
EMC test	DIN EN 61000-6-2 ETSI EN 301489-52 ETSI EN 301489-17 ETSI EN 301489-1 EN 55011
Wireless test	ETSI EN 301511 ETSI EN 301908-13 ETSI EN 300328 ETSI EN 301908-1
Safety test	EN 62368-1 EN 62311
Comment	For further information please refer to the operating instructions
Approval	CE

