

AB711 E-off button / E-stop button



Order by 2 pm - Shipping on the same working day

38,16 € offline price 40,38 €

Incl. 5.5% online discount for online orders

Overview

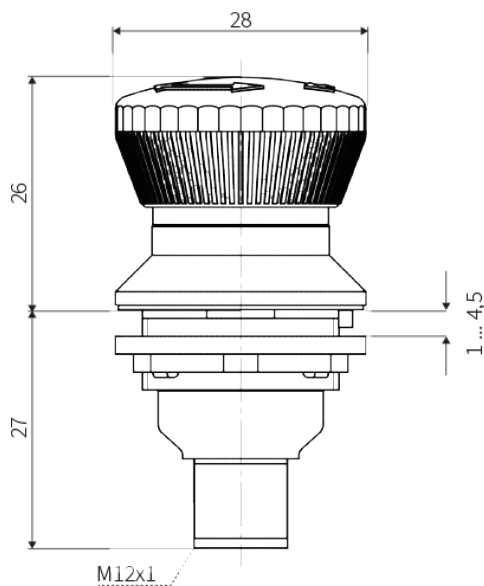
- E-stop/E-off button with mushroom head and TÜV approval
- Compact design with low installation depth; height: 33.7 mm
- Tamper-proof E-stop with right or left turn unlocking
- Long mechanical and electrical service life
- Anti-twist/reverse polarity protection & time-saving mounting thanks to M12 connector
- No additional housing required; high protection rating of IP65 / IP67 from the front and rear

In daily use - proven millions of times over. Products from autosen are under highest quality requirements regarding robustness, insensitivity and reliability. We offer 5 years warranty - with money-back guarantee!

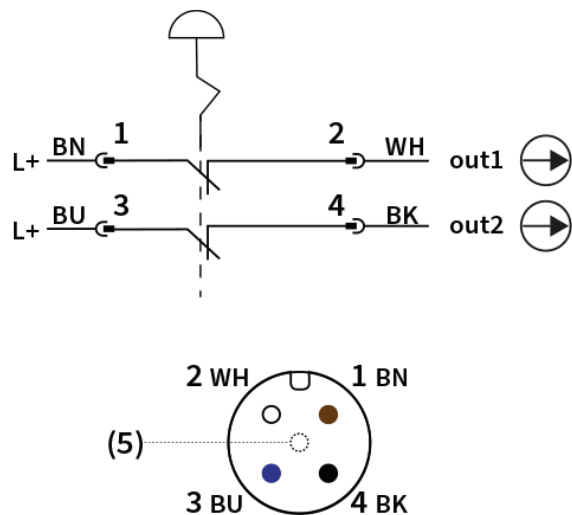
www.autosen.com/AB711

Direct link to the article on autosen.com

Dimensional drawing



Connection & pin assignment



General information

| | |
|---------------------------|---|
| Switching function | Latching function |
| Description | Emergency stop button, fail-safe with integrated M12 plug |
| Can be labelled | No |
| Lighting | No |
| Switch position indicator | Yes |
| Service life | 50000 switching cycles |
| Anti-lock collar | No |
| Unlocking | Right and left rotation |
| tamper proof | Yes |
| B10d (cycles) | 250000 |

Outputs / inputs

| | |
|------------------|--------------------------------------|
| Switching output | 2x NC contact (NC), positive opening |
| IO-Link | No |

Electrical data

| | |
|---|---|
| Utilization category | DC13 AC15 |
| Operating voltage | 35 V DC 35 V AC |
| Voltage type | Direct voltage (DC) Alternating voltage (AC) |
| Rated impulse withstand voltage | 2500V |
| Conditional short circuit current if less than 1000 A | 1000A |
| insulation voltage | 250V |
| Short-circuit protection type and maximum values | Fuse 4A gG |
| Current consumption max. | DC: 2000 AC: 4000mA |
| Protection class | II |
| Overvoltage category | II |

Mechanical data

| | |
|-----------------------|--------------------------------------|
| Installation opening | 22,3 |
| Installation depth | 26,7 |
| Assembly torque | 1,0 ... 1,7 |
| Material of housing | Plastic |
| Electrical connection | M12 4-pin Contacts gold-plated |

Accuracy

| | |
|-------------|--------|
| Bounce time | <10 ms |
|-------------|--------|

Order online at
Order by telephone
Order by fax

www.autosen.com
+49 (0) 201/749 189 21
+49 (0) 201/749 189 22

autosen gmbh • Annastraße 41 • 45130 Essen
www.autosen.com • info@autosen.com
We reserve the right to make technical changes without notice -
3/29/2025



Ambient conditions

| | |
|--------------------------|-------|
| Ambient temperature min. | -25°C |
| Ambient temperature max. | 70°C |
| Protection rating | IP65 |
| | IP67 |
| Contamination level | II |

Additional information

| | |
|---------------------|--------------|
| Control unit test | EN 60947-5-1 |
| | EN60947-5-5 |
| Emergency stop test | EN ISO 13850 |
| Approval | CE |
| | TÜV_Süd |



Accessories: Befestigungswinkel AA992



AA992

Mounting bracket 22 mm

Unit price: 6,54 €*

Accessories: M12 sensor cable | 4-pin | PUR | IP67



AA052

Sensor cable M12 4P PUR 2m IP67

Unit price: 6,07 €*



AA054

Sensor cable M12 4P PUR 2m IP67

Unit price: 6,45 €*



AA053

Sensor cable M12 4P PUR 5m IP67

Unit price: 8,15 €*



AA055

Sensor cable M12 4P PUR 5m IP67

Unit price: 8,65 €*

Accessories: M12 sensor cable | 4-pin | PVC | IP67



AA042

Sensor cable M12 4P PVC 10m IP67

Unit price: 10,97 €*



AA039

Sensor cable M12 4P PVC 10m IP67

Unit price: 10,58 €*



AA041

Sensor cable M12 4P PVC 5m IP67

Unit price: 8,22 €*



AA038

Sensor cable M12 4P PVC 5m IP67

Unit price: 7,80 €*



AA040

Sensor cable M12 4P PVC 2m IP67

Unit price: 6,00 €*



AA037

Sensor cable M12 4P PVC 2m IP67

Unit price: 5,97 €*



AA064

Sensor cable M12 4P PVC 2m IP67

Unit price: 4,52 €*



AA066

Sensor cable M12 4P PVC 2m IP67

Unit price: 4,83 €*



AA065

Sensor cable M12 4P PVC 5m IP67

Unit price: 6,05 €*



AA067

Sensor cable M12 4P PVC 5m IP67

Unit price: 6,43 €*

Accessories: M12 sensor cable | 4-pin | PVC | IP69K



AA025

Sensor cable M12 4P PVC 25m IP69K

Unit price: 23,59 €*



AA024

Sensor cable M12 4P PVC 10m IP69K

Unit price: 15,12 €*



AA023

Sensor cable M12 4P PVC 5m IP69K

Unit price: 12,31 €*



AA031

Sensor cable M12 4P PVC 2m IP69K

Unit price: 12,04 €*

Accessories: M12 sensor cable | 4-pin | PUR | IP69K



AA017

Sensor cable M12 4P PUR 10m IP69K

Unit price: 13,44 €*



AA006

Sensor cable M12 4P PUR 5m IP69K

Unit price: 10,92 €*



AA005

Sensor cable M12 4P PUR 2m IP69K

Unit price: 9,36 €*

Order online at
Order by telephone
Order by fax

www.autosen.com
+49 (0) 201/749 189 21
+49 (0) 201/749 189 22

autosen gmbh • Annastraße 41 • 45130 Essen
www.autosen.com • info@autosen.com
We reserve the right to make technical changes without notice -
3/29/2025

