

AC904 Plastic capacitive touch sensor IP69K



Order by 2 pm - Shipping on the same working day

51,60 € offline price 54,60 €

Incl. 5.5% online discount for online orders

Overview

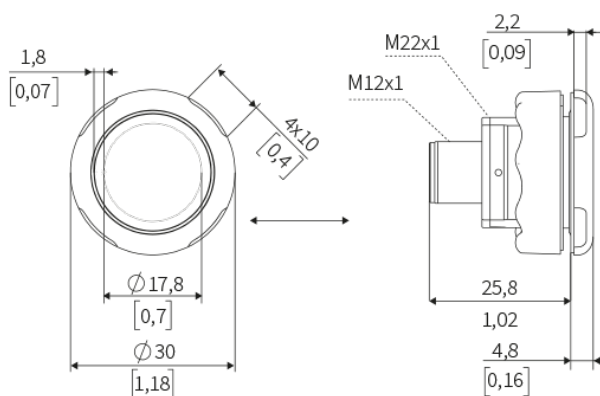
- Plastic housing, 30 mm in diameter
- Impact resistant IK08 & protection rating IP69K
- illuminated operating button with "power" symbol; can be configured via IO-Link
- Good visibility thanks to lateral light spots
- optimum visibility thanks to adaptive adjustment of brightness to the ambient brightness

In daily use - proven millions of times over. Products from autosens are under highest quality requirements regarding robustness, insensitivity and reliability. We offer 5 years warranty - with money-back guarantee!

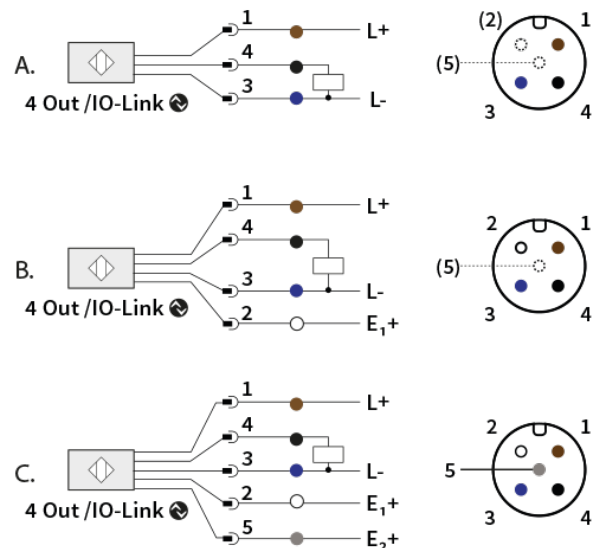
www.autosens.com/AC904

Direct link to the article on autosens.com

Dimensional drawing



Connection & pin assignment



Order online at
 Order by telephone
 Order by fax

www.autosens.com
 +49 (0) 201/749 189 21
 +49 (0) 201/749 189 22

autosens gmbh • Annastraße 41 • 45130 Essen
www.autosens.com • info@autosens.com
 We reserve the right to make technical changes without notice - 4/1/2025



Wiring & pin configuration legend

A: Automatic (factory setting)

B: Semi-automatic

C: Manual

E1: Input 1

E2: Input 2

General information

Range of application	Start/stop of machines, acknowledgement button, opening & closing of gates and much more
Service life	> 100 million switching cycles
Actuation force	No
Actuation with gloves	Yes
Insensitive to water	No
Vandal resistant	Yes
Adaptive luminosity	Yes
Switching distance	Contact

Outputs / inputs

Number of digital inputs	2; (factory setting = 0)*
Digital inputs	E1: 0V / 24V, LED behaviour when inactive E2: 0V / 24V, LED behaviour when active
Note on digital inputs	Operating mode configurable via IO-Link: - Automatic: No inputs (factory setting) - Semi-automatic: E1 available - Manual: E1 & E2 available
Switching output	Normally open / Normally closed programmable*
Comment Switching output	Factory setting: normally open Normally open/ normally closed parameterisable via IO-Link
IO-Link	Yes

Electrical data

Operating voltage	8.4 ... 32 V DC
Voltage type	Direct voltage (DC)
Electrical design	PNP NPN*
	*IO-Link parameterisation
Current carrying capacity max.	200mA
Voltage drop max.	5V
Current consumption max.	40mA
Protection class	III
Short-circuit protection	Yes
Overload-proof	Yes
Reverse polarity protection	Yes

Order online at
Order by telephone
Order by fax

www.autosen.com
+49 (0) 201/749 189 21
+49 (0) 201/749 189 22

autosen gmbh • Annastraße 41 • 45130 Essen
www.autosen.com • info@autosen.com
We reserve the right to make technical changes without notice -
4/1/2025



Mechanical data

Symbol	Stop
Structural shape	Cylindrical with thread
Thread size	M22x1
Structural length	30 mm
Material of housing	TPU
Material of active surface	PC
Material of seal	TPE
Electrical connection	M12
	3-pin
	4-pin
	5-pin

Ambient conditions

Ambient temperature min.	-30°C
Ambient temperature max.	65°C
Protection rating	IP69K (on the front)
Shock resistance	IK08

Additional information

Function display	LED with two statuses Inactive: LED, green Active: LED, red Colours configurable via IO-Link
Accessories included with delivery	Seal Knurled nut
EMC test	DIN EN 60947-5-1
MTBF	1606years
Approval	CE CSA



Accessories: IO-Link



AD002
autosen.io

Unit price: **116,47 €***



AD001
IO-Link Master

Unit price: **274,64 €***



ADS01
IO-Link starter kit

Unit price: **299,00 €***



AD009
IO-Link IoT-Master

Unit price: **407,49 €***

Accessories: Switching amplifier / evaluation



AN001
One-channel switching amplifier

Unit price: **80,86 €***

Accessories: M12/M12 connection cable | 4-pol. | PUR | IP67



AA209
Connection cable M12/M12 4P
PUR 2m IP67

Unit price: **9,29 €***



AA211
Connection cable M12/M12 4P
PUR 2m IP67

Unit price: **10,71 €***



AA210
Connection cable M12/M12 4P
PUR 5m IP67

Unit price: **12,44 €***



AA212
Connection cable M12/M12 4P
PUR 5m IP67

Unit price: **13,22 €***

Accessories: M12/M12 connection cable | 4-pin | PUR | IP69K



AA206
Connection cable M12/M12 4P
PUR 10m IP69K

Unit price: **25,20 €***



AA205
Connection cable M12/M12 4P
PUR 10m IP69K

Unit price: **22,15 €***



AA204
Connection cable M12/M12 4P
PUR 5m IP69K

Unit price: **20,65 €***



AA202
Connection cable M12/M12 4P
PUR 5m IP69K

Unit price: **17,28 €***



AA203
Connection cable M12/M12 4P
PUR 2m IP69K

Unit price: **17,48 €***



AA201
Connection cable M12/M12 4P
PUR 2m IP69K

Unit price: **14,11 €***

Accessories: M12 sensor cable | 5-pin | PUR | IP69K



AA043
Sensor cable M12 5P PUR 2m
IP69K

Unit price: **10,08 €***



AA044
Sensor cable M12 5P PUR 5m
IP69K

Unit price: **12,43 €***



AA045
Sensor cable M12 5P PUR 10m
IP69K

Unit price: **17,04 €***

Accessories: M12 sensor cable | 4-pin | PVC | IP67



AA042
Sensor cable M12 4P PVC 10m
IP67

Unit price: **10,97 €***



AA039
Sensor cable M12 4P PVC 10m
IP67

Unit price: **10,58 €***



AA041
Sensor cable M12 4P PVC 5m
IP67

Unit price: **8,22 €***



AA038
Sensor cable M12 4P PVC 5m
IP67

Unit price: **7,80 €***

Order online at
Order by telephone
Order by fax

www.autosen.com
+49 (0) 201/749 189 21
+49 (0) 201/749 189 22

autosen gmbh • Annastraße 41 • 45130 Essen
www.autosen.com • info@autosen.com
We reserve the right to make technical changes without notice -
4/1/2025



**AA040**Sensor cable M12 4P PVC 2m
IP67**Unit price: 6,00 €*** **AA037**Sensor cable M12 4P PVC 2m
IP67**Unit price: 5,97 €*** **AA064**Sensor cable M12 4P PVC 2m
IP67**Unit price: 4,52 €*** **AA066**Sensor cable M12 4P PVC 2m
IP67**Unit price: 4,83 €*** **AA065**Sensor cable M12 4P PVC 5m
IP67**Unit price: 6,05 €*** **AA067**Sensor cable M12 4P PVC 5m
IP67**Unit price: 6,43 €*** **Accessories: M12 sensor cable | 4-pin | PUR | IP67****AA052**Sensor cable M12 4P PUR 2m
IP67**Unit price: 6,07 €*** **AA054**Sensor cable M12 4P PUR 2m
IP67**Unit price: 6,45 €*** **AA053**Sensor cable M12 4P PUR 5m
IP67**Unit price: 8,15 €*** **AA055**Sensor cable M12 4P PUR 5m
IP67**Unit price: 8,65 €*** **Accessories: M12 sensor cable | 4-pin | PVC | IP69K****AA025**Sensor cable M12 4P PVC 25m
IP69K**Unit price: 23,59 €*** **AA027**Sensor cable M12 4P PVC 10m
IP69K**Unit price: 17,04 €*** **AA024**Sensor cable M12 4P PVC 10m
IP69K**Unit price: 15,12 €*** **AA026**Sensor cable M12 4P PVC 5m
IP69K**Unit price: 14,35 €*** **AA023**Sensor cable M12 4P PVC 5m
IP69K**Unit price: 12,31 €*** **AA032**Sensor cable M12 4P PVC 2m
IP69K**Unit price: 12,72 €*** **AA031**Sensor cable M12 4P PVC 2m
IP69K**Unit price: 12,04 €*** **AA028**Sensor cable M12 4P PVC 25m
IP69K**Unit price: 26,04 €*** **Accessories: M12 sensor cable | 4-pin | PUR | IP69K****AA018**Sensor cable M12 4P PUR 10m
IP69K**Unit price: 15,55 €*** **AA017**Sensor cable M12 4P PUR 10m
IP69K**Unit price: 13,44 €*** **AA008**Sensor cable M12 4P PUR 5m
IP69K**Unit price: 12,84 €*** **AA006**Sensor cable M12 4P PUR 5m
IP69K**Unit price: 10,92 €*** **AA007**Sensor cable M12 4P PUR 2m
IP69K**Unit price: 11,23 €*** **AA005**Sensor cable M12 4P PUR 2m
IP69K**Unit price: 9,36 €*** **Accessories: M12 connector | 4-pin | plug****AA946**

Wireable connector angled M12

Unit price: 7,01 €* **AA921**

Wireable connector M12

Unit price: 7,01 €* **Order online at**
Order by telephone
Order by fax**www.autosen.com**
+49 (0) 201/749 189 21
+49 (0) 201/749 189 22autosen gmbh • Annastraße 41 • 45130 Essen
www.autosen.com • info@autosen.com
We reserve the right to make technical changes without notice -
4/1/2025

**AA961**Wireable connector angled M12
IP69k**Unit price: 15,00 €*****AA959**Wireable connector straight M12
IP69k**Unit price: 15,00 €*****Accessories: M12 connector | 4-pin | socket****AA947**

Wireable socket angled M12

Unit price: 6,91 €***AA939**

Wireable socket M12

Unit price: 6,91 €***AA962**

Wireable socket angled M12 IP69k

Unit price: 15,00 €***AA960**Wireable socket straight M12
IP69k**Unit price: 15,00 €*****Accessories: Passive splitter****AA501**

Passive splitter 4x M12 5 m PUR

Unit price: 40,56 €***AA503**

Passive splitter 4x M12 10 m PUR

Unit price: 54,43 €***AA502**

Passive splitter 8x M12 5 m PUR

Unit price: 56,65 €***AA504**

Passive splitter 8x M12 10 m PUR

Unit price: 74,03 €***Accessories: Y-distributor****AA046**

Y-splitter cable M12/2xM12

Unit price: 18,67 €***AA922**

Y distributor M12/2xM12

Unit price: 12,27 €***Order online at**
Order by telephone
Order by faxwww.autosen.com
+49 (0) 201/749 189 21
+49 (0) 201/749 189 22autosen gmbh • Annastraße 41 • 45130 Essen
www.autosen.com • info@autosen.com
We reserve the right to make technical changes without notice -
4/1/2025