



In daily use - proven millions of times over. Products from autosen are under highest quality requirements regarding robustness, insensitivity and reliability. We offer 5 years warranty - with money-back guarantee!

## IO001 io-key Wireless IoT Gateway

IO-Link

IP65

Plug & Play

Order by 2 pm - Shipping on the same working day

**249,00 €** offline price  
~~263,49 €~~

Incl. 5.5% online discount for online orders

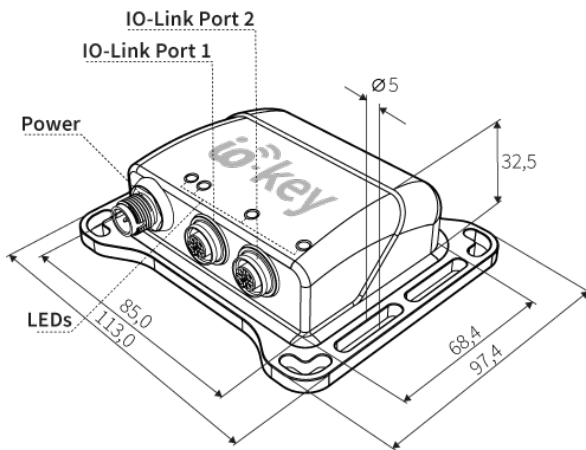
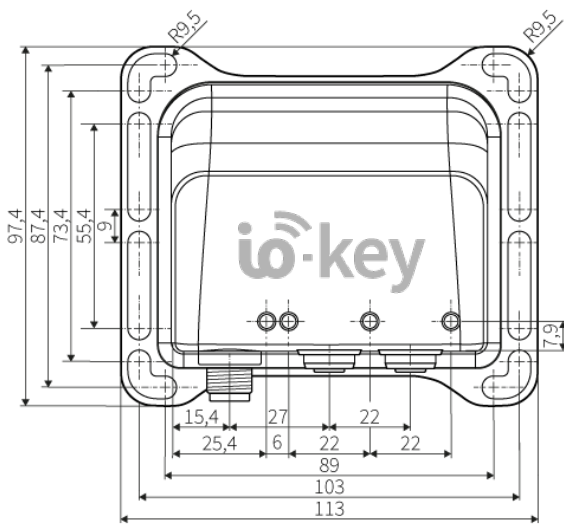
- IO-Link sensors via plug & play in the cloud
- 5.5% online discount
- SIM card on-board (Europe-wide use)
- 5-year warranty
- Cloud dashboard with alarm functions
- Fast delivery

**[www.autosen.com/IO001](http://www.autosen.com/IO001)**

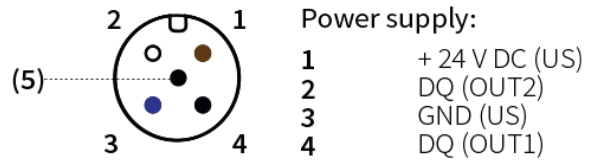
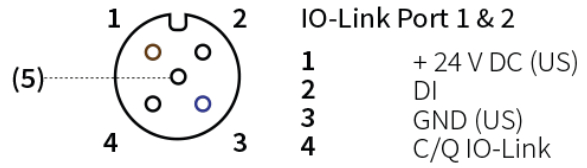
Direct link to the article on autosen.com



## Dimensional drawing



## Connection & pin assignment



## General information

Range of application	Wireless IoT Gateway
Communication interface	IO-Link, SIO, NB-IoT, 2G (GSM)
Features	Sensor data collection and wireless transmission to autosen.cloud
Parametrisation options	Automatic dashboard display and alarm functions by email or SMS in autosen.cloud

## Wireless communication

Technology & Frequencies	NB-IoT (800- & 900-MHz); 2G (GSM) (900/1800 MHz)
Sim card	installed, can be used throughout Europe
Cloud Interface	autosen.cloud (based on the Cumulocity platform)

Order online at  
Order by telephone  
Order by fax

[www.autosen.com](http://www.autosen.com)  
+49 (0) 201/749 189 21  
+49 (0) 201/749 189 22

autosen gmbh • Annastraße 41 • 45130 Essen  
[www.autosen.com](http://www.autosen.com) • [info@autosen.com](mailto:info@autosen.com)  
We reserve the right to make technical changes without notice - 8/1/2021



## Outputs / inputs

---

Power supply	Power Port
Number of digital outputs	2: Two digital outputs on pin 4 & pin 2; power port
Switching level	Low: 0 ... 5 V   High: 11 ... 30 V
Current carrying capacity per output (Power)	100 mA
Switching delay at output	< 3 sec.
Switch-on and switch-off delay adjustable	Yes
Number of digital inputs	2: One input each on pin 4 (IO-Link); IO-Port 1 & 2
Transfer type	COM 1 / COM 2 / COM 3
IO-Link revision	1.1
Number of ports class A	2
IO-Link	Yes

## Electrical data

---

Operating voltage	18 ... 30 V DC
Voltage type	Direct voltage (DC)
Total current carrying capacity	1000mA
Protection class	III
Short-circuit protection	Yes
Reverse polarity protection	Yes

## Mechanical data

---

Material of housing	ABS
Electrical connection	M12 4-pin

## Ambient conditions

---

Ambient temperature min.	-25°C
Ambient temperature max.	60°C
Max. Height above sea level [m]	3000
Protection rating	IP65



## Additional information

---

Function display	4 x LED Yellow Green
Accessories included with delivery	1 x M12 sealing cap
EMC test	EN 301489-1 EN 301489-17 EN 301489-19 EN 301489-52
Shock resistance test	DIN EN 60068-2-27
Vibration resistance test	DIN EN 60068-2-6
Wireless test	EN 301511 EN 301908 EN 300328 EN 303413
Safety test	EN 62368-1 EN 62311
Comment	For further information please refer to the operating instructions
Approval	CE



## Accessories: Connection technology



### AA207

Connection cable 2 m PUR M8/M12  
IP69k 3-pin

Unit price: 12,12 €\*



### AA201

Connection cable 2 m PUR M12/M12  
IP69k

Unit price: 12,30 €\*



### AA208

Connection cable 2 m PUR M8/M12  
IP69k 4-pin

Unit price: 12,75 €\*



### AA202

Connection cable 5 m PUR M12/M12  
IP69k

Unit price: 15,12 €\*



### AA203

Connection cable 2 m PUR M12/M12  
IP69k

Unit price: 15,30 €\*



### AA204

Connection cable 5 m PUR M12/M12  
IP69k

Unit price: 18,06 €\*



### AA205

Connection cable 10 m PUR M12/M12  
IP69k

Unit price: 18,92 €\*



### AA206

Connection cable 10 m PUR M12/M12  
IP69k

Unit price: 21,75 €\*

## Accessories: Signalwandler



### AD003

Display for analogue signals

Unit price: 94,91 €\*



### AD006

IO-Link input module for binary  
signals

Unit price: 90,44 €\*



### AD007

IO-Link input module for binary  
signals

Unit price: 151,76 €\*



### AD008

IO-Link data splitter

Unit price: 93,31 €\*

## Accessories: Application kits



### ADS04

IO-Link Data Splitter Retrofit Bundle

Unit price: 138,03 €\*



### ADS02

Sensor-to-Cloud Starterkit

Unit price: 155,44 €\*



### ADS03

Switching & alarm function starter kit

Unit price: 168,09 €\*

## Accessories: Power supply



### AN003

Plug-in power supply 24V

Unit price: 16,99 €\*

## Accessories: Y distributor



### AA046

Y-splitter cable M12/2xM12

Unit price: 16,14 €\*

