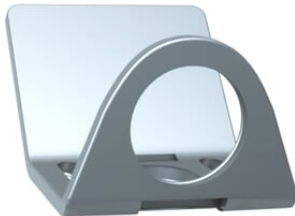


AA963 Sound deflection angle small for ultrasonic sensors



Order by 2 pm - Shipping on the same working day

21,02 € offline price 22,24 €

Incl. 5.5% online discount for online orders

Overview

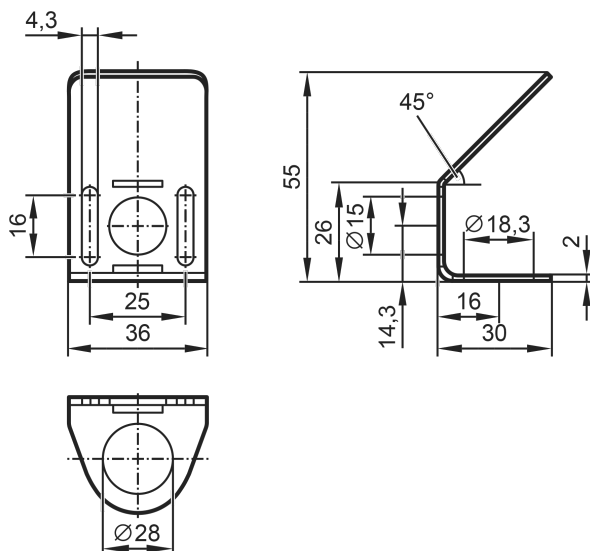
- For ultrasonic sensors AU001-AU005
- 90° deflection angle
- Max. range 1200 mm
- suitable for confined installation environments (sensor can be rotated 90° for installation)
- Stainless steel

In daily use - proven millions of times over. Products from autosen are under highest quality requirements regarding robustness, insensitivity and reliability. We offer 5 years warranty - with money-back guarantee!

www.autosen.com/AA963

Direct link to the article on autosen.com

Dimensional drawing



General information

Features

For ultrasonic sensors AU001-AU005

Order online at
Order by telephone
Order by fax

www.autosen.com
+49 (0) 201/749 189 21
+49 (0) 201/749 189 22

autosen gmbh • Annastraße 41 • 45130 Essen
www.autosen.com • info@autosen.com
We reserve the right to make technical changes without notice - 8/14/2022



Mechanical data

Material

Stainless steel

Order online at
Order by telephone
Order by fax

www.autosen.com
+49 (0) 201/749 189 21
+49 (0) 201/749 189 22

autosen gmbh • Annastraße 41 • 45130 Essen
www.autosen.com • info@autosen.com
We reserve the right to make technical changes without notice -
8/14/2022

