


A0025 Photoelectric sensor with PA housing



 Retro-reflective sensor	⇒ 0.05 ... 5 m	✱ Red light
--	----------------	--------------------

Order by 2 pm - Shipping on the same working day

46,44 € offline price 49,14 €

Incl. 5.5% online discount for online orders

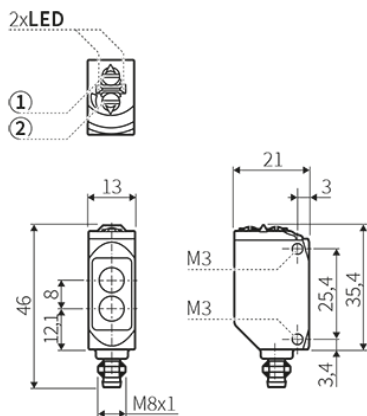
- Light and dark switching, switchable
- 5.5% online discount
- Retro-reflective sensor with polarisation filter
- 5-year warranty
- Visible red light for easy adjustment
- Fast delivery

www.autosen.com/A0025

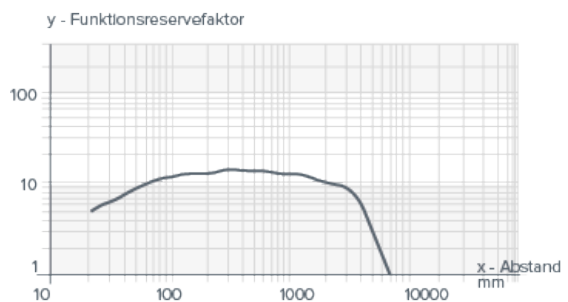
Direct link to the article on autosen.com

In daily use - proven millions of times over. Products from autosens are under highest quality requirements regarding robustness, insensitivity and reliability. We offer 5 years warranty - with money-back guarantee!

Dimensional drawing



Function reserve bend



Dimensional drawing legend

- 1: output function switch
 2: potentiometer sensitivity

Order online at
Order by telephone
Order by fax

www.autosen.com
+49 (0) 201/749 189 21
+49 (0) 201/749 189 22

autosens gmbh • Annastraße 41 • 45130 Essen
www.autosen.com • info@autosen.com
 We reserve the right to make technical changes without notice - 8/1/2021

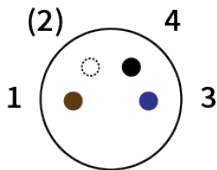
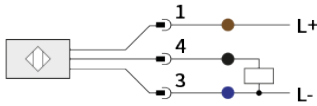


Function reserve bend legend

x - distance [mm]

y - excess gain factor

Connection & pin assignment



General information

Switching distance	0.05 ... 5 m
Comment	With regard to prismatic reflector Ø 80
Background suppression	No
Sensor type	Retro-reflective sensor
Switching frequency	1000Hz
Type of light	Red light

Outputs / inputs

Switching output	Light/dark switching programmable
IO-Link	No

Electrical data

Operating voltage	10 ... 30 V DC supply class 2 cULus
Voltage type	Direct voltage (DC)
Electrical design	PNP
Current carrying capacity max.	100mA
Voltage drop max.	2.5V
Current consumption max.	12mA
Protection class	III
Short-circuit protection	Yes
Overload-proof	Yes
Reverse polarity protection	Yes

Order online at
Order by telephone
Order by fax

www.autosen.com
+49 (0) 201/749 189 21
+49 (0) 201/749 189 22

autosen gmbh • Annastraße 41 • 45130 Essen
www.autosen.com • info@autosen.com
We reserve the right to make technical changes without notice - 8/1/2021



Mechanical data

Material of union nut	Brass
Materials connector thread	Brass coated
Structural shape	Cuboid
Material of housing	PPSU
	ABS
Material of active surface	PMMA
Material of seal	EPDM
Electrical connection	M8
	4-pin

Accuracy

Light spot diameter	150 mm (with max. range)
---------------------	--------------------------

Ambient conditions

Ambient temperature min.	-25°C
Ambient temperature max.	60°C
Protection rating	IP65
	IP67

Additional information

MTTF	683years
Function display	Switching status: LED, yellow
	Operation: LED, green
Accessories included with delivery	No accessories included
EMC test	DIN EN 60947-5-2
Approval	CE
	cULus



Accessories: Switched-mode power supplies/Pulse monitoring



AN001

One-channel switching amplifier

Unit price: 69,96 €*



AR003

Speed monitor

Unit price: 119,22 €*

Accessories: Connection technology



AA009

Sensor cable 2 m PUR M8 4-pole
IP69k

Unit price: 8,06 €*



AA011

Sensor cable 2 m PUR M8 4-pole
IP69k

Unit price: 8,06 €*



AA013

Sensor cable 2 m PVC M8 4-pole
IP69k

Unit price: 8,94 €*



AA015

Sensor cable 2 m PVC M8 4-pole
IP69k

Unit price: 8,94 €*



AA010

Sensor cable 5 m PUR M8 4-pole
IP69k

Unit price: 9,34 €*



AA012

Sensor cable 5 m PUR M8 4-pole
IP69k

Unit price: 9,35 €*



AA016

Sensor cable 5 m PVC M8 4-pole
IP69k

Unit price: 10,50 €*



AA014

Sensor cable 5 m PVC M8 4-pole
IP69k

Unit price: 10,50 €*



AA022

Sensor cable 10 m PUR M8 4-pole
IP69k

Unit price: 12,15 €*



AA021

Sensor cable 10 m PUR M8 4-pole
IP69k

Unit price: 12,15 €*



AA208

Connection cable 2 m PUR M8/M12
IP69k 4-pin

Unit price: 12,75 €*



AA029

Sensor cable 10 m PVC M8 4-pole
IP69k

Unit price: 13,44 €*



AA030

Sensor cable 10 m PVC M8 4-pole
IP69k

Unit price: 13,44 €*

Accessories: Mounting accessories



AA907

Angle bracket

Unit price: 4,96 €*



AA950

Prismatic reflector 80 mm

Unit price: 2,56 €*



AA951

Prismatic reflector 48x48 mm

Unit price: 3,56 €*



AA976

Reflective tape 50x1000 mm

Unit price: 9,65 €*

Order online at
Order by telephone
Order by fax

www.autosen.com
+49 (0) 201/749 189 21
+49 (0) 201/749 189 22

autosen gmbh • Annastraße 41 • 45130 Essen
www.autosen.com • info@autosen.com
We reserve the right to make technical changes without notice - 8/1/2021

