

# AA947 Wirable socket angled M12



Order by 2 pm - Shipping on the same working day

**4,84 €** offline price 5,12 €

Incl. 5.5% online discount for online orders

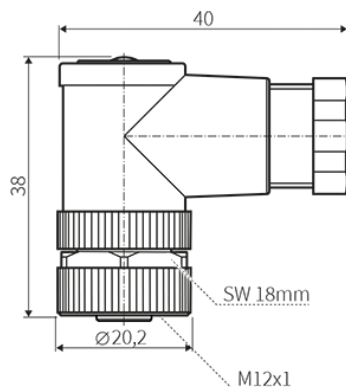
- Gold-plated contacts
- 5.5% online discount
- Halogen & silicone-free
- 5-year warranty
- AC/DC
- Fast delivery

[www.autosen.com/AA947](http://www.autosen.com/AA947)

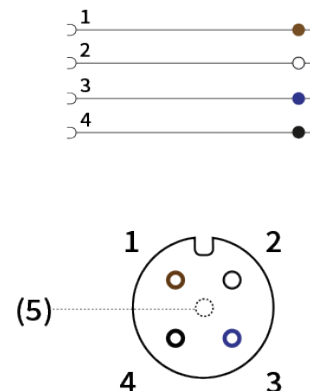
Direct link to the article on autosen.com

In daily use - proven millions of times over. Products from autosen are under highest quality requirements regarding robustness, insensitivity and reliability. We offer 5 years warranty - with money-back guarantee!

## Dimensional drawing



## Connection & pin assignment



## General information

---

Function display	No
Number of wires	4
Design of plug connection	Angled Prefabricated socket M12 4-pin Contacts gold-plated

## Electrical data

---

Operating voltage	250V AC/DC
Voltage type	Direct voltage (DC) Alternating voltage (AC)
Current carrying capacity max.	4000mA

## Mechanical data

---

Material of grip body	Polyamide (PA)
Material of union nut	Nickel-plated brass
Colour of grip body	Black

## Ambient conditions

---

Ambient temperature min.	-25°C
Ambient temperature max.	85°C
Protection rating	IP68

## Additional information

---

Electrical connection	silicone-free halogen-free Screw terminals: max. 0.75 mm <sup>2</sup> Prefabricated Cable sheath: Ø 4 ... 6 mm
Approval	CE cURus

